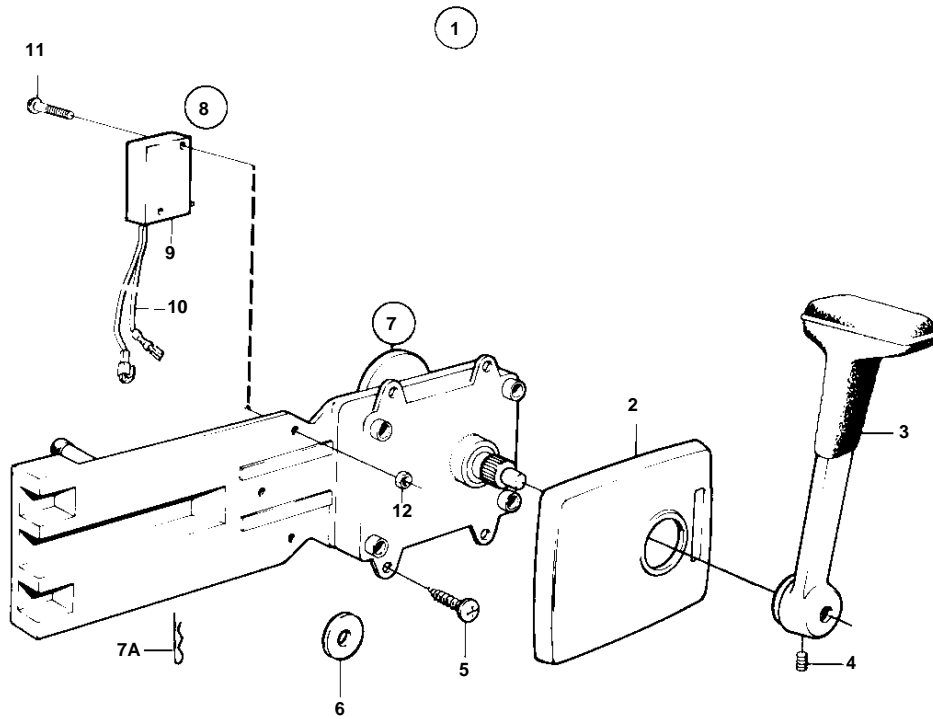


COMMON



9053

## COMMON

REF	PART NO.	QTY	DESCRIPTION	SEE SEC.	NOTES
1	851604	1	Mounting kit		SIDE-MOUNTED REPLACED BY 1140092.
2	1140048	1	· Cover		(839518)
3	839520	1	· Lever		
4	839693	1	· Lock screw		M8
5	955142	4	· Screw		
6		1	· WASHER		
7	851601	1	Control		
				090-0280	
7A	852924	1	· Clip		
8	855352	1	Neutral posit contac		(841165). MAIN STATION.
9	850200	1	· Switch		
10		X	· · CABLES AND TERMINALS		SEE GROUP 3
11	946177	2	· Screw		
	947536	2	· Nut		